

APPLICATION: SHOWER

IDEAL for

- Industrial & manufacturing
- Office buildings
- Schools, colleges and universities
- Campgrounds



NON-MICROPROCESSOR MODELS

INSTANT-FLOW® SR - STANDARD FLOW (1.0 GPM)

| MODEL | BREAKER SIZE (AMPS) | VOLTS | WATTS | PRESET TEMP. |
|-----------|---------------------|-------|-------|--------------|
| SR-30/277 | 30 | 277 | 8,310 | NONE |
| SR-40/208 | 40 | 208 | 8,320 | NONE |
| SR-40/240 | 40 | 240* | 9,600 | NONE |

MICROPROCESSOR MODELS

INSTANT-FLOW® MICRO- STANDARD FLOW (1.0 GPM)

| MODEL | BREAKER SIZE (AMPS) | VOLTS | WATTS | PRESET TEMP. |
|----------|---------------------|-------|--------|----------------|
| M-30/277 | 30 | 277 | 8,310 | 104°F or 110°F |
| M-40/208 | 40 | 208 | 8,320 | 104°F or 110°F |
| M-40/240 | 40 | 240* | 9,600 | 104°F or 110°F |
| M-40/277 | 40 | 277 | 11,080 | 104°F or 110°F |
| M-50/240 | 50 | 240* | 11,520 | 104°F or 110°F |

* 240V models may be operated at 220V. However, an approximate 15% decrease in temperature will be experienced.

Other preset temperature settings are available, please contact factory.



Member of U.S. Green Building Council



Water Conserving Product



Made in the USA

Complies with Standards for:



AB1953

CHRONOMITE LABORATORIES, INC.

17451 Hurley St. :: City of Industry, CA 91744
 Phone 800-447-4962 :: 626-937-4270
 Fax 626-937-4279 :: www.chronomite.com

APPLICATION: SHOWER

INSTANT-FLOW® SR

Dimension:
6-1/4" (H) x 9-5/8" x 2-3/4"

Weight: 5 lbs

Material: White, rugged cast aluminum housing; Celcon plastic element assembly with nichrome coils.

Microprocessor Controlled: NO

Min. Operating Flow:
Single heater (Standard Flow Model) operates at 1.0 GPM

Operating Pressure:
Single heater: Minimum 25 PSI / Maximum 150 PSI
Two heaters with Parallel Kit: Minimum 45 PSI / Maximum 150 PSI

Max. Operating Temperature: 140°F

Accessory Package: Omni Flow Control; compression fitting installed at factory

Housing Options: Satin Finish & High Polish Stainless Steel; PA 765 ABS Plastic



| MODEL | WATTS | TEMPERATURE RISE AT: | | |
|------------|-------|----------------------|---------|---------|
| | | 1.0 GPM | 1.5 GPM | 2.0 GPM |
| SR-30/277 | 8,310 | 57°F | 37°F | 28°F |
| SR-40/208 | 8,320 | 57°F | 37°F | 28°F |
| SR-40/240* | 9,600 | 65°F | 43°F | 32°F |

1.0 GPM is optimal for a single heater.

INSTANT-FLOW® MICRO

Dimension:
6-1/4" (H) x 9-5/8" x 2-3/4"

Weight: 5 lbs

Material: White, rugged cast aluminum housing; Celcon plastic elements assembly with nichrome coils.

Microprocessor Controlled: YES

Min. Operating Flow:
Single heater (Standard Flow Model) operates at 1.0 GPM

Operating Pressure:
Single heater: Minimum 25 PSI / Maximum 150 PSI
Two heaters with Parallel Kit: Minimum 45 PSI / Maximum 150 PSI

Max. Operating Temperature: 140°F

Accessory Package: Omni Flow Control; compression fitting installed at factory

Housing Options: Satin Finish & High Polish Stainless Steel; PA 765 ABS Plastic



| MODEL | WATTS | TEMPERATURE RISE AT: | | |
|-----------|--------|----------------------|---------|---------|
| | | 1.0 GPM | 1.5 GPM | 2.0 GPM |
| M-30/277 | 8,310 | 57°F | 37°F | 28°F |
| M-40/208 | 8,320 | 57°F | 37°F | 28°F |
| M-40/240* | 9,600 | 65°F | 43°F | 32°F |
| M-40/277 | 11,080 | 75°F | 50°F | 37°F |
| M-50/240* | 11,520 | 79°F | 52°F | 39°F |

1.0 GPM is optimal for a single heater.

* 240V models may be operated at 220V. However, an approximate 15% decrease in temperature will be experienced.



Member of
U.S. Green
Building
Council



Water
Conserving
Product



Made in
the USA

Complies
with
Standards
for:



AB1953

CHRONOMITE LABORATORIES, INC.

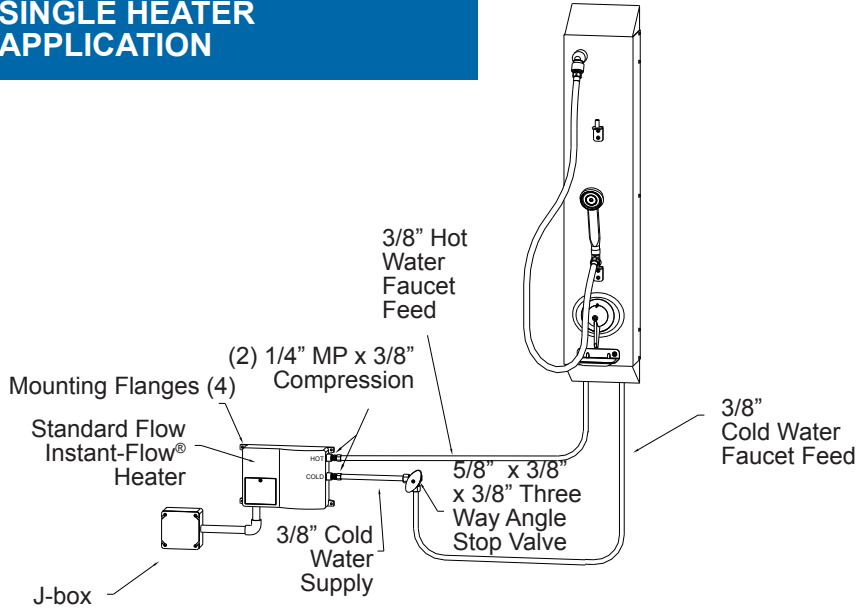
17451 Hurley St. :: City of Industry, CA 91744

Phone 800-447-4962 :: 626-937-4270

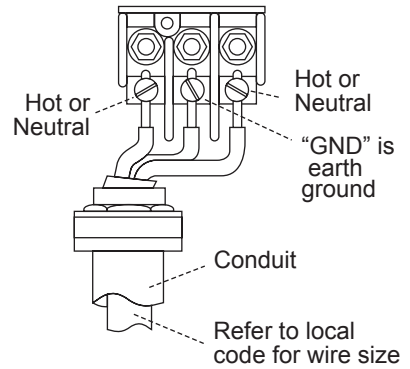
Fax 626-937-4279 :: www.chronomite.com

APPLICATION: SHOWER

SINGLE HEATER APPLICATION

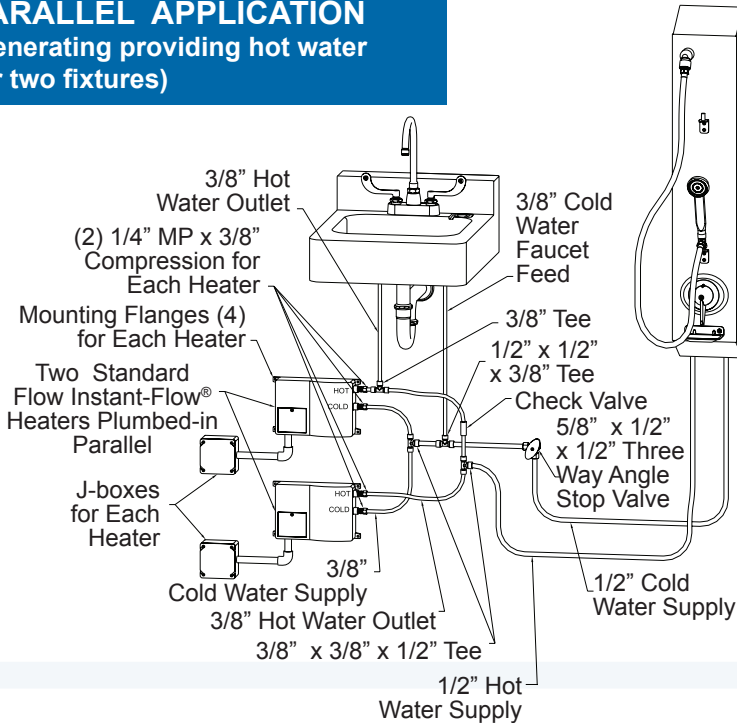


WIRING CONNECTION



ATTENTION:
Unit must be hard wired.
NOTE: Heater is single phase.
All tests are measured at the output of the heater.

PLUMBED-IN PARALLEL APPLICATION (generating providing hot water for two fixtures)



Note: Heater to be installed below the level of all hot water outlets serviced by the heater

SPECIAL INSTRUCTIONS BEFORE INSTALLING HEATERS IN PARALLEL APPLICATION

- Remove inline flow restrictor found inside the outlet compression fitting which is attached to the hot discharge side of the heater
- Once it is removed, re-install compression fitting



Member of
U.S. Green
Building
Council



Water
Conserving
Product



Made in
the USA

Complies
with
Standards
for:



AB1953

CHRONOMITE LABORATORIES, INC.

17451 Hurley St. :: City of Industry, CA 91744

Phone 800-447-4962 :: 626-937-4270

Fax 626-937-4279 :: www.chronomite.com