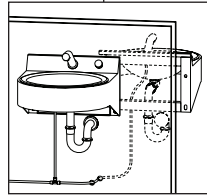


# MULTIPLE LAVATORIES

for simultaneous hot water at two or three lavatories

**IDEAL for**

- Shopping malls & strip malls
- Retail stores
- Service stations
- Commercial buildings
- Office buildings
- Schools, colleges & universities
- Hospitals
- Restaurants
- Stadiums



## TWO LAVATORIES - BACK TO BACK

### INSTANT-FLOW® MICRO - LOW FLOW (0.5 GPM)

MODEL	BREAKER SIZE (AMPS)	VOLTS	WATTS	PRESET TEMP. **
M-20L/240	20	240*	4,800	104°F
M-20L/277	20	277	5,540	104°F

## TWO LAVATORIES - SIDE BY SIDE

*Operating Simultaneously*

### INSTANT-TEMP® - LOW FLOW (0.5 GPM)

MODEL	BREAKER SIZE (AMPS)	VOLTS	WATTS	PRESET TEMP. **
E-70FLLP/208	40	208	7,000	104°F
E-70FLLP/240	40	240*	7,000	104°F
E-70FLLP/277	30	277	7,000	104°F

## TWO OR THREE LAVATORIES

*Operating Simultaneously*

### INSTANT-TEMP® - LOW FLOW (0.5 GPM)

MODEL	BREAKER SIZE (AMPS)	VOLTS	WATTS	PRESET TEMP. **
E-80FLLP/208	40	208	8,000	104°F
E-80FLLP/240	40	240*	8,000	104°F
E-80FLLP/277	30	277	8,000	104°F
E-90FLLP/240	50	240*	9,000	104°F
E-90FLLP/277	40	277	9,000	104°F

\* 240V models may be operated at 220V. However, an approximate 15% decrease in temperature will be experienced.

\*\* 104°F preset is standard hand wash temperature.

Other preset temperature settings are available, please contact Chronomite



Member of U.S. Green Building Council



Water Conserving Product



Made in the USA

Complies with Standards for:



AB1953

### CHRONOMITE LABORATORIES, INC.

17451 Hurley St. :: City of Industry, CA 91744  
 Phone 800-447-4962 :: 626-937-4270  
 Fax 626-937-4279 :: www.chronomite.com

# MULTIPLE LAVATORIES

for simultaneous hot water at two or three lavatories

**INSTANT-FLOW® MICRO  
LOW FLOW  
(0.5 GPM FLOW RATE)**

**Dimension:**  
6-1/4" (H) x 9-5/8" x 2-3/4"  
**Weight:** 5 lbs

**Material:** White, rugged cast aluminum housing; Celcon plastic element assembly with nichrome coils.

**Microprocessor Controlled:** YES

**Min. Operating Flow:** Low Flow Model operates at 0.5 GPM

**Operating Pressure:** Minimum 25 PSI / Maximum 150 PSI

**Max. Operating Temperature:** 140°F

**Accessory Package:** Omni Flow Control, compression fittings are installed at factory

**Housing Options:** Satin Finish & High Polish Stainless Steel; PA 765 ABS Plastic



MODEL	WATTS	TEMPERATURE RISE AT:		
		0.4 GPM	0.5 GPM	1.0 GPM
<b>TWO LAVATORIES (BACK TO BACK)</b>				
M-20L/240*	4,800	**	54°F	27°F
M-20L/277	5,540	**	75°F	38°F

**INSTANT-TEMP®  
LOW FLOW  
(0.5 GPM FLOW RATE)**

**Dimension:**  
7-5/16" (H) x 10-3/4" x 2-3/4"  
**Weight:** 8 lbs

**Material:** Rugged steel housing; Celcon plastic element assembly with nichrome coils

**Microprocessor Controlled:** YES

**Min. Operating Flow:** Standard Low Model operates at 1.0 GPM

**Operating Pressure:** Minimum 45 PSI / Maximum 150 PSI

**Max. Operating Temperature:** 140°F

**Accessory Package:** Omni Flow Control, compression fittings are installed at factory

**Housing Options:** Satin Finish & High Polish Stainless Steel



MODEL	WATTS	TEMPERATURE RISE AT:		
		0.5 GPM**	1.0 GPM	1.5 GPM
<b>TWO LAVATORIES (SIDE BY SIDE)</b>				
E-70FLLP/208	7,000	**	47°F	24°F
E-70FLLP/240*	7,000	**	47°F	24°F
E-70FLLP/277	7,000	**	47°F	24°F
<b>TWO OR THREE LAVATORIES</b>				
E-80FLLP/208	8,000	**	54°F	27°F
E-80FLLP/240*	8,000	**	54°F	27°F
E-80FLLP/277	8,000	**	54°F	27°F
E-90FLLP/240*	9,000	**	61°F	41°F

\* 240V models may be operated at 220V. However, an approximate 15% decrease in temperature will be experienced.

\*\* The microprocessor adjusts the heater's power for the variations in flow rates and pressure to assure the selected factory preset temperature is achieved

Multiple lavatories operate at 0.5 GPM per lavatory  
ie. 1.0 GPM total for two lavatories simultaneously; 1.5 GPM total for three lavatories simultaneously.

Complies with Standards for:



**CHRONOMITE LABORATORIES, INC.**

17451 Hurley St. :: City of Industry, CA 91744

Phone 800-447-4962 :: 626-937-4270

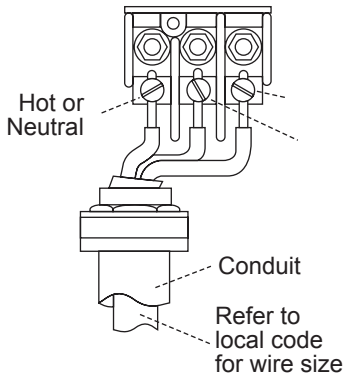
Fax 626-937-4279 :: www.chronomite.com

# MULTIPLE LAVATORIES

for simultaneous hot water at two or three lavatories

## INSTALLATION DIAGRAM

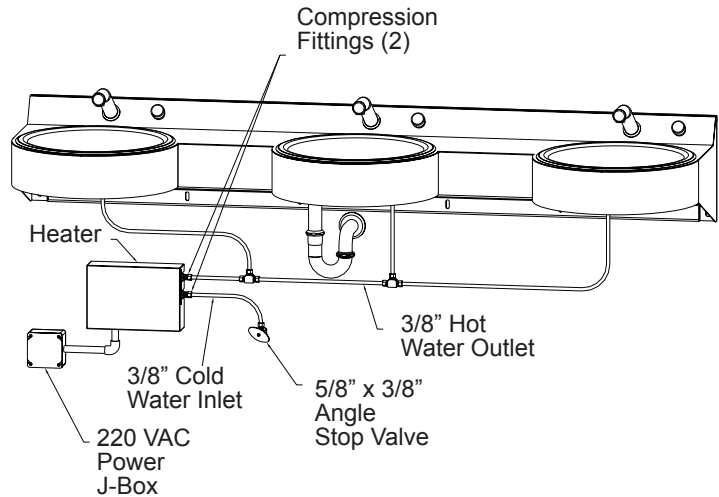
### WIRING CONNECTION



**ATTENTION:**  
Unit must be hard wired.  
**NOTE:**  
Heater is single phase.  
All tests are measured at the output of the heater.

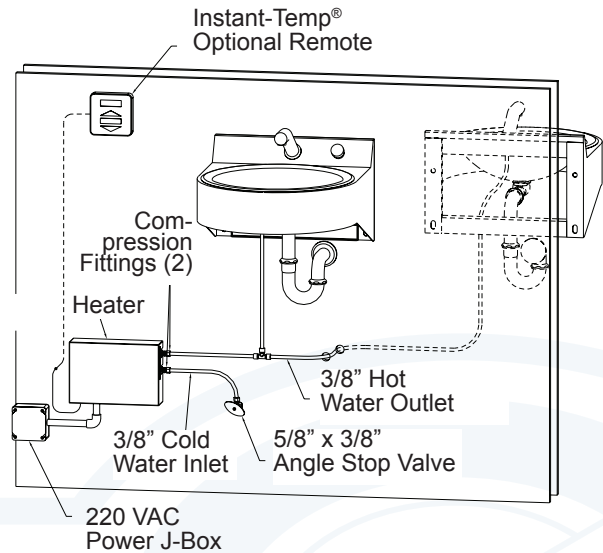
### TWO/THREE LAVATORIES SIDE-BY-SIDE INSTALLATION

Single Instant-Temp<sup>®</sup> Heater provides heated water simultaneously in an application with three side-by-side lavatories. (Shown with Acorn Engineering Model 3703)



### TWO LAVATORIES-BACK-TO-BACK INSTALLATION

Single Instant-Temp<sup>®</sup> Heater provides heated water simultaneously in an application with two lavatories configured back-to-back (typically in adjoining restroom). (Shown with two units of Acorn Engineering Model 3701)



Note: Heater to be installed below the level of all hot water outlets serviced by the heater

Complies with Standards for:



**CHRONOMITE LABORATORIES, INC.**

17451 Hurley St. :: City of Industry, CA 91744

Phone 800-447-4962 :: 626-937-4270

Fax 626-937-4279 :: www.chronomite.com