



**ELECTRIC TANKLESS WATER HEATER - POINT OF USE**

# INSTANT-TEMP® - LOW FLOW

**APPLICATION:** commercial, industrial, residential, multiple lavatories, public lavatories, kitchen/bar sink

## PRODUCT FEATURES

- Uses a digital microprocessor for temperature control  
Ultra quick response times for temperature variations - 120 times per second. Microprocessor use is the most energy efficient means of heating water
- Unlimited hot water
- Ideal for sensor /hands-free faucets with the 104°F factory preset setting; no mixing valve needed
- Saves water and energy - 99% energy efficient
- Works on low flow
- Rugged steel housing
- Space saving compact size: 7-5/16" (H) x 10-3/4" x 2-3/4"
- Meets applicable building codes including ADA, UL, IAPMO, UPC, and CSA.
- Environmentally friendly
- Made in the U.S.A.
- Field Adjustable

Chronomite Instant-Temp® - Low Flow models are manufactured to provide reliable point-of-use hot water. There is no pressure and temperature relief valve needed (unless required by code), saving time and money on installation.

**Housing** is fabricated from rugged steel.

**Element assembly** is fabricated from Celcon/Ryton plastic.

**Heating coils** are nichrome.

**Flow control and compression fittings** are supplied with each unit.



Member of U.S. Green Building Council



Water Conserving Product



Made in the USA

**For the model being selected, please place the corresponding amps and volts values in the Guide Specifications to the right.**



## GUIDE SPECIFICATION

Tankless Water Heater shall be a Chronomite Laboratories Model

E - \_\_\_\_\_ L / \_\_\_\_\_  
x 100 WATTS VOLTS OPTIONS

with \_\_\_\_\_ Amps and \_\_\_\_\_ Volts

to heat to a preset temperature of:

- 104°F (Standard sensor faucet hand washing setting)
- 110°F (Standard hand washing setting) (Meets ADA)
- Other temperature settings available upon request (specify below)
- 120°F (Meets health code)

Unit shall be provided with Celcon waterways, and Nichrome heating coils.

Temperature controlled by microprocessor.

### OPTIONS

- Factory Preset (F)
- Remote Accessory (R)
- Satin Stainless Steel Housing (SS)
- High Polish Stainless Steel Housing (SSP)
- Low Flow/ Low Pressure (LLP)
- De-ionized (DI)
- Multiple Lav applications (FLLP)
- Pressure & Temp Relief Valve Assembly (TP)

MODEL	AMPS	VOLTS	WATTS	ACTIVATION GPM	TEMP RISE @ 0.75 GPM	TEMP RISE @ 1.00 GPM	TEMP RISE @ 1.25 GPM
E-46L / 208	22	208	4600	0.35	42	31	25
E-46L / 240	19	240	4600	0.35	42	31	25
E-46L / 277	17	277	4600	0.35	42	31	25
E-60L / 208	29	208	6000	0.35	55	41	33
E-60L / 240	25	240	6000	0.35	55	41	33
E-60L / 277	22	277	6000	0.35	55	41	33
E-70L / 208	34	208	7000	0.35	64	48	38
E-70L / 240	29	240	7000	0.35	64	48	38
E-70L / 277	25	277	7000	0.35	64	48	38
E-80L / 208	38	208	8000	0.35	73	55	44
E-80L / 240	33	240	8000	0.35	73	55	44
E-80L / 277	29	277	8000	0.35	73	55	44
E-90L / 240	38	240	9000	0.35	82	61	49
E-90L / 277	32	277	9000	0.35	82	61	49

Complies with Standards for:



Federal Public Law 111-380 (No Lead)

CALGreen

**CHRONOMITE LABORATORIES, INC.**

17451 Hurley St. :: City of Industry, CA 91744  
Phone 800-447-4962 :: 626-937-4270  
Fax 626-937-4279 :: www.chronomite.com

MEMBER OF

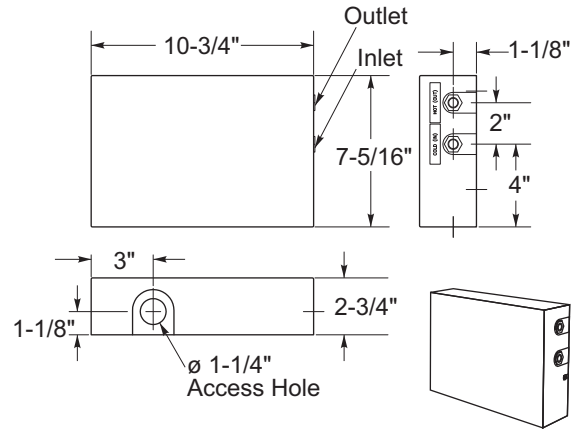


# INSTANT-TEMP® - LOW FLOW

## TECHNICAL DIMENSIONS

### INSTANT-TEMP - LOW FLOW

Dimensions:	7-5/16" (H) x 10-3/4" x 2-3/4"
Weight:	8 lbs.
Materials:	Rugged steel housing Celcon/Ryton plastic element assembly with nichrome coils
Housing Color:	White
Minimum Operating Flow Rate:	0.35 GPM
Minimum Operating Pressure:	45 PSI
Maximum Operating Pressure:	80 PSI
Maximum Pressure:	150 PSI
Maximum Operating Temperature:	160°F
Listing:	UL, IAPMO, UPC, ADA, CSA



### GENERAL NOTES:

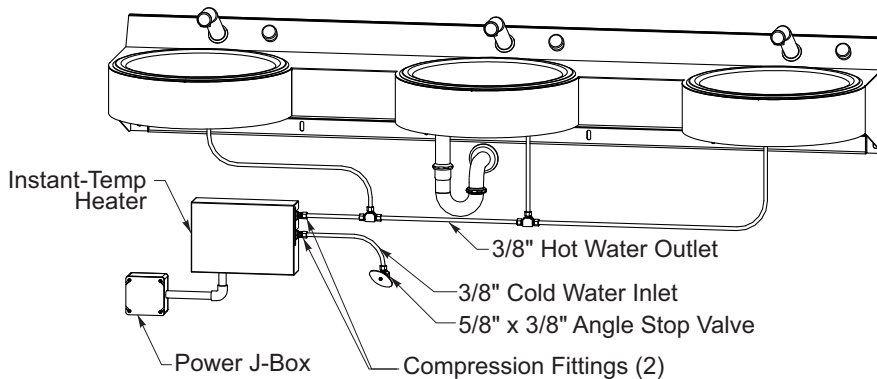
- The microprocessor adjusts the heater's power for variations in flow rates, inlet water temperature and pressure to assure the selected factory pre set water temperature. \*\*
- 240V models when operated at 220V will have approximately a 15% wattage decrease.
- Instant-Temp is ideal for sensor/hands-free faucets with the 104°F factory preset setting temperature; no mixing valve needed

- Factory setting of 110°F or above require cold water mixing at the hand wash faucet.
- Microprocessor limits temperature increase according to the pre-selected temperature

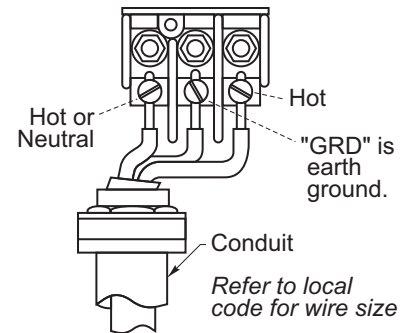
## INSTALLATION DIAGRAM

Note: Heater to be installed below the level of all hot water outlets serviced by the heater

### Shown installed in a Multi-Lavatory Installation



## WIRING CONNECTION



**ATTENTION:**  
Unit must be hard wired.  
NOTE: Heaters are single phase.  
All tests are measured at the output of the heater.

Chronomite Laboratories assumes no responsibility for use of void or suspended data. © Copyright Chronomite Laboratories, Inc. Member of Morris Group International, City of Industry, CA Please visit [www.chronomite.com](http://www.chronomite.com) for most current specifications.

SELECTION SUMMARY & APPROVAL FOR MANUFACTURING

Company \_\_\_\_\_

Model Number & Options \_\_\_\_\_ Quantity \_\_\_\_\_

Contact \_\_\_\_\_ Title \_\_\_\_\_

Signature (Approval for Manufacturing) \_\_\_\_\_ Date \_\_\_\_\_

**CHRONOMITE**  
LABORATORIES, INC.

PH. 800-447-4962

626-937-4270

FAX 626-937-4279

[www.chronomite.com](http://www.chronomite.com)