



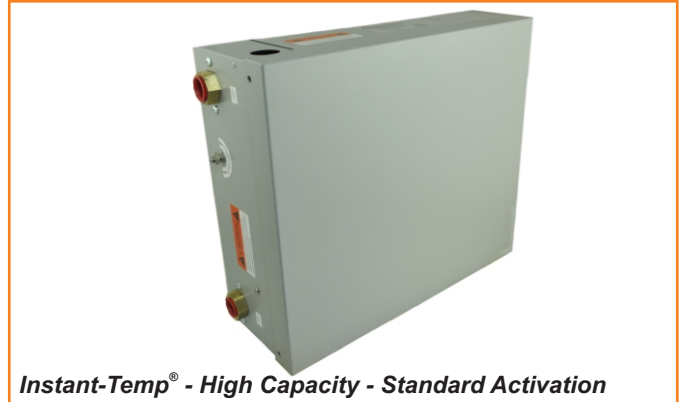
## ELECTRIC TANKLESS WATER HEATER - LARGE CAPACITY

# INSTANT-TEMP® - HIGH CAPACITY - STANDARD ACTIVATION

**TYPICAL APPLICATIONS: Commercial, Industrial, Showers, Mop Sinks, and Service Sinks**

### PRODUCT FEATURES

- Uses a digital microprocessor for temperature control  
*Ultra quick response times for temperature variations - 120 times per second. Microprocessor use is the most energy efficient means of heating water*
- Unlimited hot water
- Saves water and energy - 99% energy efficient
- Rugged steel housing (Standard)
- Space saving compact size:  
*15-1/4" x 17-1/2" x 6-1/4"*
- Meets applicable building codes including UL, UPC.
- Environmentally friendly
- Made in the U.S.A.
- User adjustable temperature 70°F-125°F (Standard)
- Optional factory preset temperature available, Select single temperature between 90°F-160°F
- Flow friendly minimum pressure drop (*18.5 psid at 6.0 gpm*)
- Multiple applications handled with one heater



**Instant-Temp® - High Capacity - Standard Activation**

Chronomite Instant-Temp® - High Capacity - Standard Activation - S3 models are manufactured to provide reliable point-of-use hot water with flow rates from 1.2 gpm to 6.0 gpm. There is no pressure and temperature relief valve needed (unless required by code), saving time and money on installation.

**Housing** is fabricated from rugged Jet-Kote® grey steel.

**Element assembly** is fabricated from Celcon plastic.

**Heating Coils** are nichrome.

### GUIDE SPECIFICATION

Tankless Water Heater shall be a Chronomite Laboratories Model

**ER - \_\_\_\_\_ S / \_\_\_\_\_ - \_\_\_\_\_**  
AMPS                                  VOLTS                                  WATTS

with

and

Unit shall be provided with Celcon waterways, and Nichrome heating coils. Temperature controlled by microprocessor

#### OPTIONS

- Satin Finish Stainless Steel Housing (SS)
- NEMA 4 Cabinet (N4)
- De-ionized (DI)
- Factory Preset (F)

**For the model being selected, please place the corresponding amps, volts and watts values in the Guide Specifications above.**

MODEL	CIRCUITS	TOTAL AMPS	1 Ø VOLTAGE	WATTS	ACTIVATION GPM	TEMP RISE @ 2.50 GPM	TEMP RISE @ 3.50 GPM	TEMP RISE @ 4.50 GPM
ER-90S/208_18700	3	90 ( 3 x 30 )	208	18700	1.2	51	37	28
ER-90S/240_21600	3	90 ( 3 x 30 )	240	21600	1.2	59	42	33
ER-90S/277_24900	3	90 ( 3 x 30 )	277	24900	1.2	68	49	38
ER-120S/208_25000	3	120 ( 3 x 40 )	208	25000	1.2	68	49	38
ER-120S/240_28800	3	120 ( 3 x 40 )	240	28800	1.2	79	56	44
ER-120S/277_33300	3	120 ( 3 x 40 )	277	33300	1.2	91	65	50



Member of U.S. Green Building Council



Water Conserving Product



Made in the USA

**Complies with Standards for:**

LISTED TO:  
UL STD 499  
IEC/EN 60335-1  
IEC/EN 60335-2-35

CERTIFIED TO:  
CAN/CSA STD C22.2 NO. 88



Federal Public Law 111-380 (No Lead)

LISTED ELECTRIC HEATING APPLIANCE 214T

**CHRONOMITE LABORATORIES, INC.**

17451 Hurley St. :: City of Industry, CA 91744

Phone 800-447-4962 :: 626-937-4270

Fax 626-937-4279 :: www.chronomite.com

MEMBER OF

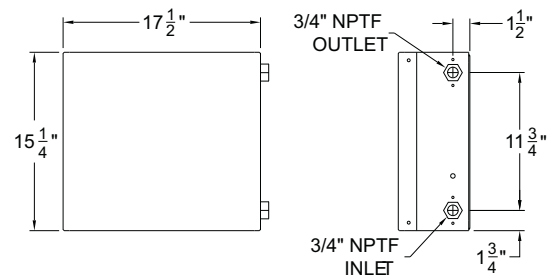
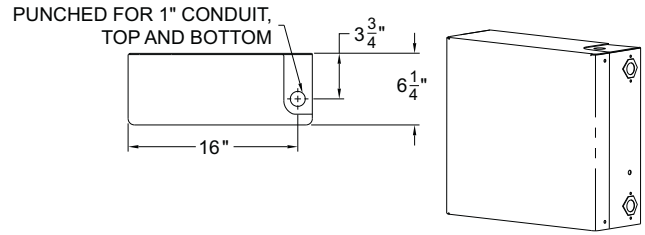


# INSTANT-TEMP<sup>®</sup> - HIGH CAPACITY - STANDARD ACTIVATION

## TECHNICAL DIMENSIONS

### INSTANT-TEMP - HIGH CAPACITY - STANDARD ACTIVATION

Dimensions:	15-1/4" x 17-1/2" x 6-1/4"
Weight:	26 LBS
Materials:	Rugged steel housing Celcon plastic element assembly with nichrome coils
Minimum Operating Flow Rate:	1.2 GPM
Minimum Operating Pressure:	25 PSI
Maximum Operating Pressure:	80 PSI
Maximum Pressure:	150 PSI
Maximum Operating Temperature:	160°F
Listing:	UL, UPC

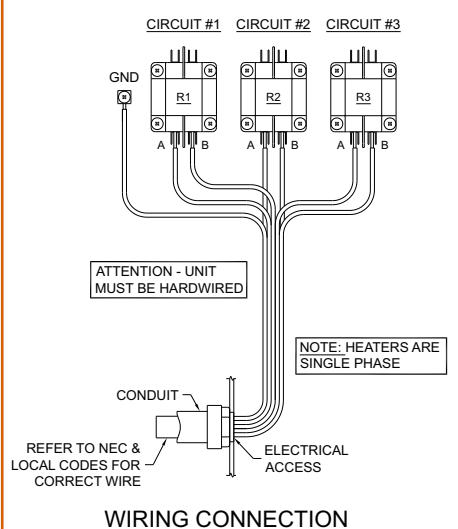
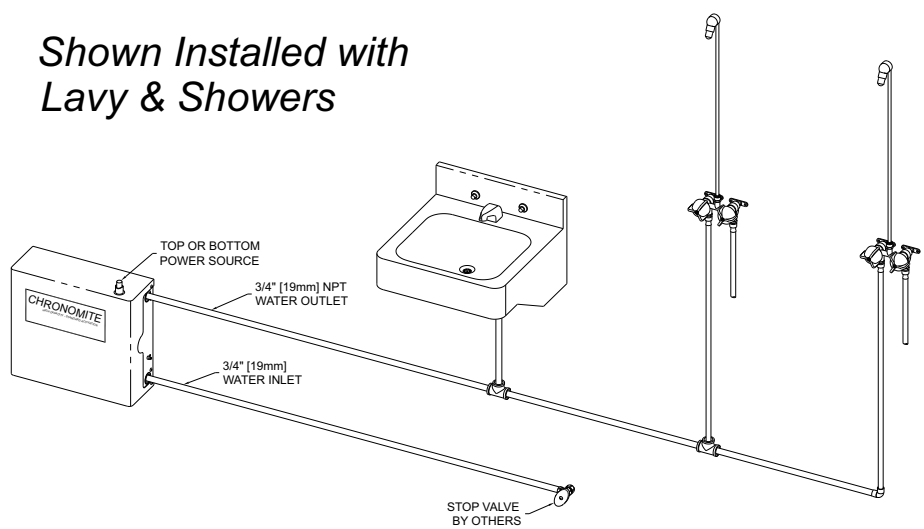


### GENERAL NOTES:

- The microprocessor adjusts the heater's power for variations in flow rates, inlet water temperature and pressure to assure the selected water temperature
- 240V models when operated at 220V will have approximately a 15% wattage decrease
- 90-120 amp single phase units use qty 3 circuits

## INSTALLATION DIAGRAM

Shown Installed with  
Lavy & Showers



Chronomite Laboratories assumes no responsibility for use of void or suspended data. © Copyright Chronomite Laboratories, Inc. Acorn Family of Companies, City of Industry, CA Please visit [www.chronomite.com](http://www.chronomite.com) for most current specifications.

**SELECTION SUMMARY & APPROVAL FOR MANUFACTURING**

Company \_\_\_\_\_

Model Number & Options \_\_\_\_\_ Quantity \_\_\_\_\_

Contact \_\_\_\_\_ Title \_\_\_\_\_

Signature (Approval for Manufacturing) \_\_\_\_\_ Date \_\_\_\_\_

**CHRONOMITE**  
 LABORATORIES, INC.  
 PH. 800-447-4962  
 626-937-4270  
 FAX 626-937-4279  
[www.chronomite.com](http://www.chronomite.com)