

Mini Tank

Electric Water Heaters



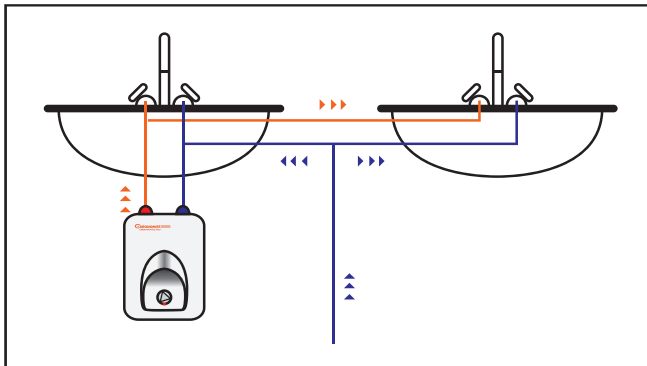
CMT-1.3

CMT-2.5

CMT-4.0

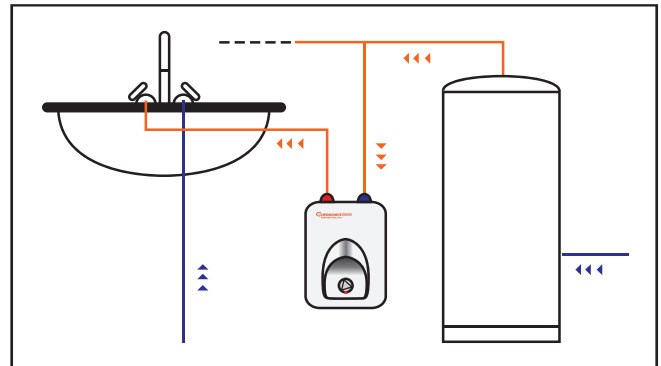
CMT-6.0

Independent



Independent - Use a Chronomite Mini Tank for sinks that do not have hot water. Locate the Chronomite Mini Tank close to the point of use, so hot water is delivered quickly. Plumb to one sink or multiple sinks in the same area.

In-Line



In-line - Connection at the point of use eliminates the wait for hot water from the central water heater. Plumb in line with the central water heater. The Mini Tank is filled with hot water from the central water heater, conserving water and energy.

Mini Tank

Electric Water Heaters

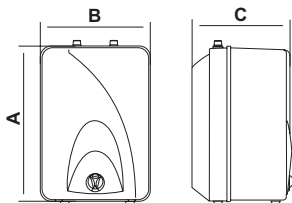
Features

- Pressure/Temperature relief valve included.
- Inlet/Outlet clearly marked for easy installation.
- Mount hardware included. (wall or floor)
- Temperature sensor shuts off the unit when it is above the 140°F limit.
- CFC-Free high density foam insulation.
- Stainless steel sheathed heating element.
- Adjustable thermostat allows adjustment from 50-140°F.
- 120V plug works with any standard outlet-no additional wiring needed.

Applications

- Institutional
- Schools
- Bathrooms
- Medical Offices
- Kitchens
- Garages
- Commercial/Warehouses
- Any under sink application

Technical Data		CMT-1.3	CMT-2.5	CMT-4.0	CMT-6.0
Capacity	Gallons	1.3	2.5	4.0	6.0
Voltage	Vac	110-120			
Power at 120 Vac	Watts	1440			
Max. Water Pressure	psi	150			
Weight (empty)	lbs.	15	18	22	26
Amperage	Amps.	12			
Water Connection	Inches	1/2 NPT			
Temperature Range	°F	50 - 140			



Dimensions	CMT-1.3	CMT-2.5	CMT-4.0	CMT-6.0
A (inch)	12 1/2"	14 1/2"	19 1/4"	18"
B (inch)	11"	11 3/4"	11 3/4"	15 3/4"
C (inch)	10"	10 3/8"	10 3/8"	15 1/2"

