



ELECTRIC TANKLESS WATER HEATER - LARGE CAPACITY

Disconnect Switch 2095-4 / R SERIES - 1 PHASE / ER SERIES - 3 PHASE

TYPICAL APPLICATIONS: Commercial, Industrial, Showers, Mop Sinks, Service Sinks, Safety Face Wash and Multiple Lavatories

DISCONNECT SWITCH PRODUCT FEATURES

- IP Code Type 4X
- Padlockable
- General use 80A per Pole
- Maximum Voltage 600V AC (UL) 800V (IEC)
- Switch Disconnect short circuit withstands the rating of 10kA/30A (K5, RK5) 60A (RK1) 80A (J) at 600V with Max Fuse
- Switch Disconnect Handle is Fabricated of Black Polycarbonate
- Switch Disconnect Housing is fabricated of Grey Polycarbonate.
- Meets RoHS (Restriction of Hazardous Substances)
- Meets applicable building codes including UL and CE.
 - UL 60947-4-A1
 - IEC/EN 60947-3
 - IEC 60204-1
- IEC/EN RATINGS/PER POLE:
 - Ui: 690V
 - Uimp: 8kV
 - Ithe: 80A

	415V~	690V~
AC-21A	100A	100A
AC-22A	80A	80A
AC-23A	63A	40A
	30kW	37Kw



2095-4 Disconnect Switch

GUIDE SPECIFICATION

Tankless Water Heater shall be a Chronomite Laboratories Model that is referenced within the submittal sheet column located on table below.

SUBMITTAL SHEET	ACTIVATIONS		FLOW RATE
IT-R-LA	LOW	L	0.35 GPM to 5.0 GPM
IT-R-SA	STANDARD	S	0.65 GPM to 5.0 GPM
IT-R-HA	HIGH	H	1.8 GPM to 5.0 GPM
ITHC-3P-LA3	LOW	L	0.35 GPM to 4.5 GPM
ITHC-3P-SA3	STANDARD	S	1.2 GPM to 6.0 GPM
ITHC-3P-HA3	HIGH	H	2.8 GPM to 8.0 GPM

For the model being selected, please refer to the guide specification submittal sheet located in the respective submittal sheets

APPLICABLE MODELS

R-48()/208	R-48()/240	R-58()/208	R-63()/208	R-48()/277
R-58()/240	R-68()/208	R-63()/240	R-75()/208	R-58()/277
R-68()/240	R-75()/240	R-68()/277	R-75()/277	
ER-90()/208_3P	ER-42()/480_3P	ER-90()/240_3P	ER-50()/480_3P	ER-120()/208_3P
ER-120()/240_3P	ER-60()/480_3P	ER-67()/480_3P	ER-90()/480_3P	ER-120()/480-3P

() = Activation L, S, or H

Complies with Standards for:



CHRONOMITE LABORATORIES, INC.

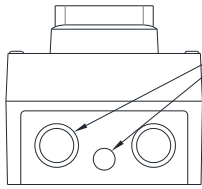
17451 Hurley St. :: City of Industry, CA 91744
 Phone 800-447-4962 :: 626-937-4270
 Fax 626-937-4279 :: www.chronomite.com

MEMBER OF



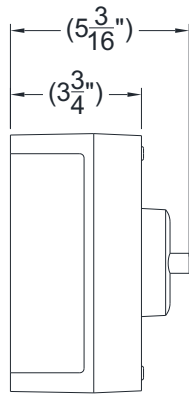
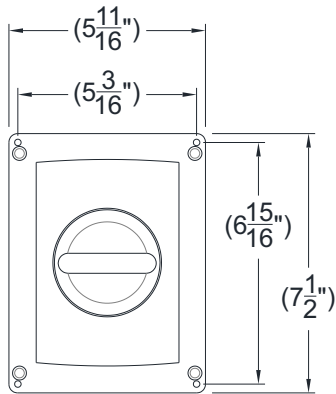
Disconnect Switch 2095-4 / R SERIES - 1 PHASE / ER SERIES - 3 PHASE

TECHNICAL DIMENSIONS

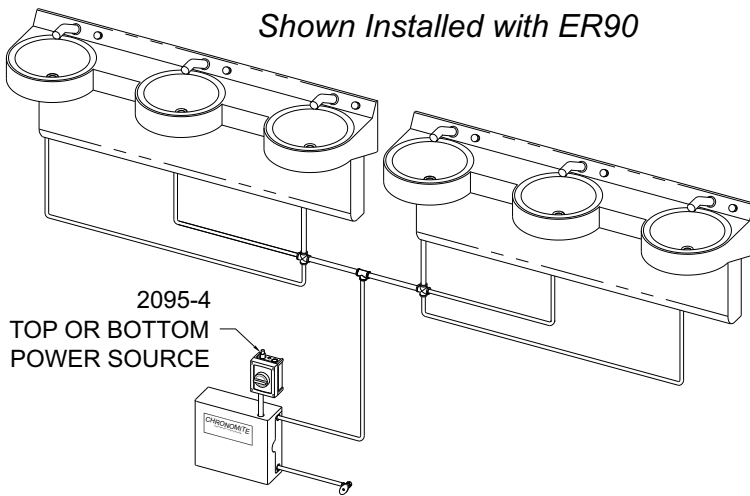


KNOCK-OUTS
(2x Ø3/4 / Ø1 + Ø1/2)
on the top and bottom
and (Ø3/4) on the base

2095-4 DISCONNECT SWITCH	
Dimensions:	144 x 190 x 131mm
Weight:	1.6 LBS
Listings:	UL-C, UL, CE, RoHS

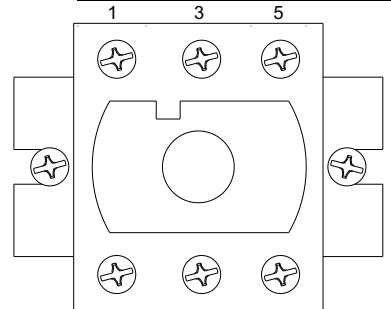


INSTALLATION DIAGRAM



CIRCUIT #1
LINE

L1	N	X	R-Series / 277V
L1	L2	X	R-Series / 208-240V
L1	L2	L3	ER-Series / 3Ø



1	3	5	
2	4	6	
A	B	C	3Ø
A	B	X	1Ø

CIRCUIT #1
HEATER

WIRING CONNECTION

Chronomite Laboratories, Inc. assumes no responsibility for use of void or suspended data. © Copyright Chronomite Laboratories, Inc. Acorn Family of Companies, City of Industry, CA Please visit www.chronomite.com for most current specifications.

SELECTION SUMMARY
& APPROVAL FOR
MANUFACTURING

Company _____

Model Number & Options _____ Quantity _____

Contact _____ Title _____

Signature (Approval for Manufacturing) _____ Date _____

CHRONOMITE
LABORATORIES, INC.

PH. 800-447-4962

626-937-4270

FAX 626-937-4279

www.chronomite.com