

Disconnect Switch 2095-2 - ER SERIES - TWINS™ - SINGLE PHASE

TYPICAL APPLICATIONS: Commercial, Industrial, Showers, Mop Sinks, Service Sinks, Safety Face Wash and Multiple Lavatories

DISCONNECT SWITCH PRODUCT FEATURES

- IP Code Type 4X
- Padlockable
- General use 40A per Pole
- Maximum Voltage 600V AC (UL) 800V (IEC)
- Switch Disconnect short circuit withstands the rating of 10kA/30A (K5, RK5) 60A (RK1) 80A (J) at 600V with Max Fuse
- Switch Disconnect Handle is Fabricated of Black Polycarbonate
- Switch Disconnect Housing is fabricated of Grey Polycarbonate.
- Meets RoHS (Restriction of Hazardous Substances)
- Meets applicable building codes including UL and CE.
 - UL 60947-4-A1
 - IEC/EN 60947-3
 - IEC 60204-1
- IEC/EN RATINGS/PER POLE:
 - Ui: 800V
 - Uimp: 8kV
 - Ithe: 63A

	415V~	690V~
AC-21A	63A	63A
AC-22A	40A	40A
AC-23A	40A	32A
	22kW	30kW



2095-2 Disconnect Switch

GUIDE SPECIFICATION

Tankless Water Heater shall be a Chronomite Laboratories Model that is referenced within the submittal sheet column located on table below.

SUBMITTAL SHEET	ACTIVATIONS		FLOW RATE
ITHC-LA2	LOW	L	0.35 GPM to 4.0 GPM
ITHC-SA2	STANDARD	S	0.8 GPM to 4.5 GPM
ITHC-HA2	HIGH	H	1.8 GPM to 6.0 GPM
ITR-LA2	LOW	L	0.35 GPM to 4.0 GPM

For the model being selected, please refer to the guide specification submittal sheet located in the respective submittal sheets

APPLICABLE MODELS

ER-60()/208_12500	ER-60()/240_14400	ER-60()/277_16600
ER-80()/208_16600	ER-80()/240_19200	ER-80()/277_22200

() = Activation L, S, or H

Complies with Standards for:



CHRONOMITE LABORATORIES, INC.

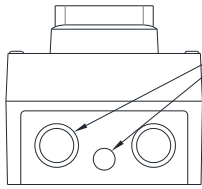
17451 Hurley St. :: City of Industry, CA 91744
Phone 800-447-4962 :: 626-937-4270
Fax 626-937-4279 :: www.chronomite.com

MEMBER OF



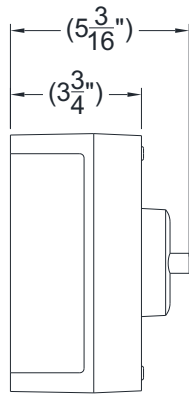
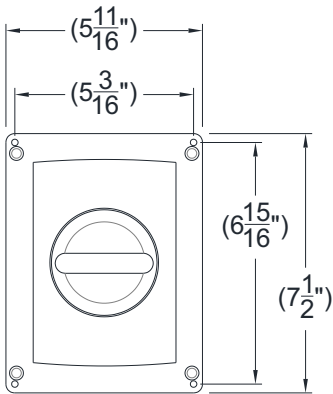
Disconnect Switch 2095-2 - ER SERIES - TWINS™ - SINGLE PHASE

TECHNICAL DIMENSIONS



KNOCK-OUTS
(2x Ø3/4 / Ø1 + Ø1/2)
on the top and bottom
and (Ø3/4) on the base

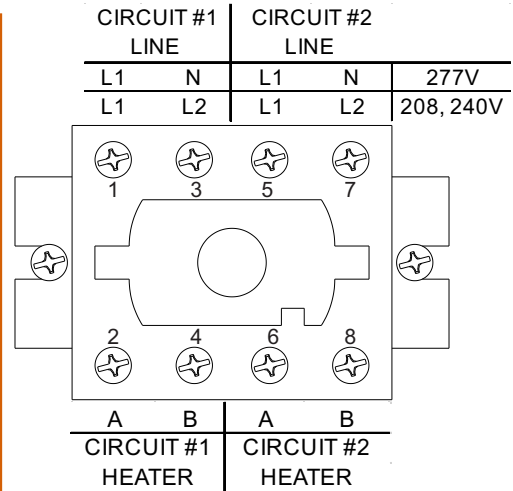
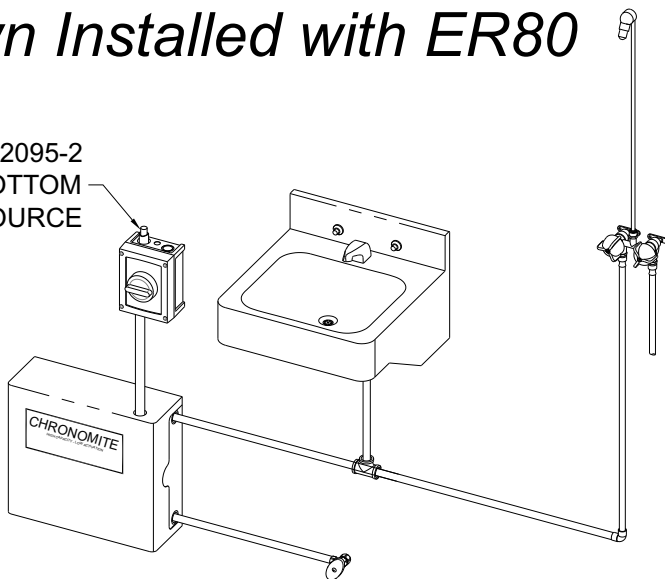
2095-2 DISCONNECT SWITCH	
Dimensions:	144 x 190 x 131mm
Weight:	1.6 LBS
Listings:	UL-C, UL, CE, RoHS



INSTALLATION DIAGRAM

Shown Installed with ER80

2095-2
TOP OR BOTTOM
POWER SOURCE



WIRING CONNECTION

Chronomite Laboratories, Inc. assumes no responsibility for use of void or suspended data. © Copyright Chronomite Laboratories, Inc. Acorn Family of Companies, City of Industry, CA Please visit www.chronomite.com for most current specifications.

SELECTION SUMMARY
& APPROVAL FOR
MANUFACTURING

Company _____

Model Number & Options _____ Quantity _____

Contact _____ Title _____

Signature (Approval for Manufacturing) _____ Date _____

CHRONOMITE
LABORATORIES, INC.
PH. 800-447-4962
626-937-4270
FAX 626-937-4279
www.chronomite.com