

## Disconnect Switch 2095-1 - SR, M AND E SERIES

**TYPICAL APPLICATIONS:** Commercial, Industrial, Residential, Public Lavatories, Kitchen/Bar Sinks

### DISCONNECT SWITCH PRODUCT FEATURES

- IP Code Type 4X
- Padlockable
- General use 40A per Pole
- Maximum Voltage 600V AC (UL) 800V (IEC)
- Switch Disconnect short circuit withstands the rating of 10kA/30A (K5, RK5) 60A (RK1) 80A (J) at 600V with Max Fuse
- Switch Disconnect Handle is Fabricated of Black Polycarbonate
- Switch Disconnect Housing is fabricated of Grey Polycarbonate
- Meets RoHS (Restriction of Hazardous Substances)
- Meets applicable building codes including UL and CE.
  - UL 60947-4-A1
  - IEC/EN 60947-3
  - IEC 60204-1
- IEC/EN RATINGS/PER POLE:
  - Ui: 800V
  - Uimp: 8kV
  - Ithe: 63A

	415V~	690V~
AC-21A	63A	63A
AC-22A	40A	40A
AC-23A	40A	32A
	22kW	30Kw



2095-1 Disconnect Switch

### GUIDE SPECIFICATION

Tankless Water Heater shall be a Chronomite Laboratories Model that is referenced within the submittal sheet column located on table below.

SUBMITTAL SHEET	ACTIVATIONS		FLOW RATE
IFSR-LF	LOW	L	0.35 TO 1.50
IFSR	STANDARD	-	0.65 TO 2.00
IFM-LF	LOW	L	0.35 TO 1.50
IFM	STANDARD	-	0.65 TO 2.00
IT-LF	LOW	L	0.35 TO 1.50
IT	STANDARD	S	0.65 TO 2.00

For the model being selected, please refer to the guide specification submittal sheet located in the respective submittal sheets

### APPLICABLE MODELS

#### Model SR Series

SR-15L/120	SR-15L/277	SR-20L/120	SR-20L/208	SR-20L/240	SR-20L/277	SR-30L/120
SR-30/208	SR-30/240	SR-30/277	SR-40/208	SR-40/240		

#### Model M Series

M-15L/277	M-20L/120	M-20L/208	M-20L/240	M-20L/277	M-30L/120	M-30L/208
M-30L/240	M-30L/277	M-40L/208	M-40L/240			
M-30/208	M-30/240	M-30/277	M-40/208	M-40/240	M-40/277	

#### Model E Series

E-46L/208	E-46L/240	E-46L/277	E-60L/208	E-60L/240	E-60L/277	E-70L/208
E-70L/240	E-70L/277	E-80L/208	E-80L/240	E-80L/277	E-90L/240	E-90L/277
E-46S/208	E-46S/240	E-46S/277	E-60S/208	E-60S/240	E-60S/277	E-70S/208
E-70S/240	E-70S/277	E-80S/208	E-80S/240	E-80S/277	E-90S/240	E-90S/277

Complies with Standards for:



**CHRONOMITE LABORATORIES, INC.**

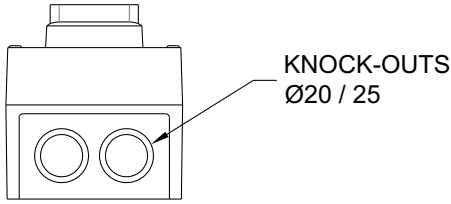
17451 Hurley St. :: City of Industry, CA 91744  
Phone 800-447-4962 :: 626-937-4270  
Fax 626-937-4279 :: www.chronomite.com

MEMBER OF

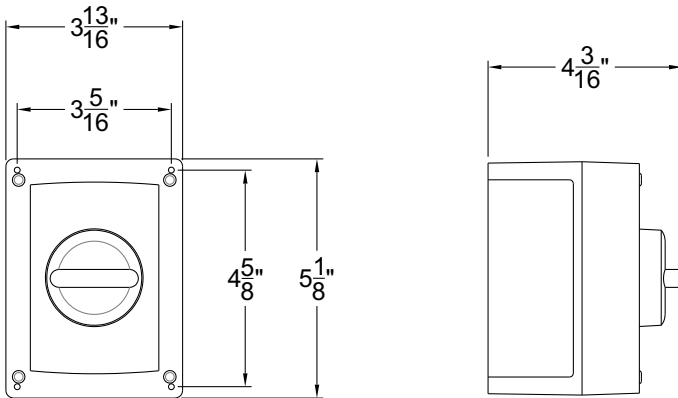


## Disconnect Switch 2095-1 - SR, M AND E SERIES

### TECHNICAL DIMENSIONS

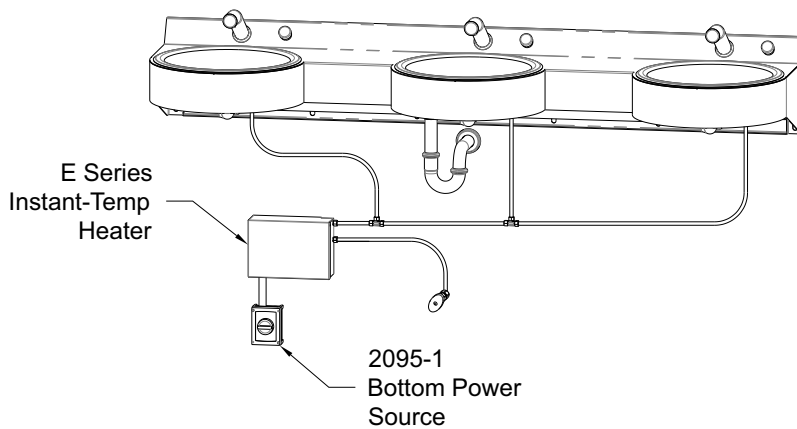


2095-1 DISCONNECT SWITCH	
Dimensions:	96 x 130 x 106mm
Weight:	0.9 LBS
Listings:	UL-C, UL, CE, RoHS



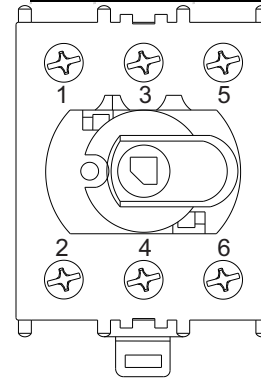
### INSTALLATION DIAGRAM

Shown Installed with E90



CIRCUIT #1  
LINE

L1	N	X	277V
L1	L2	X	208-240V



A	B	X
A	B	X

CIRCUIT #1  
HEATER

Chronomite Laboratories, Inc. assumes no responsibility for use of void or suspended data. © Copyright Chronomite Laboratories, Inc. Acorn Family of Companies, City of Industry, CA Please visit [www.chronomite.com](http://www.chronomite.com) for most current specifications.

SELECTION SUMMARY  
& APPROVAL FOR  
MANUFACTURING

Company \_\_\_\_\_

Model Number & Options \_\_\_\_\_ Quantity \_\_\_\_\_

Contact \_\_\_\_\_ Title \_\_\_\_\_

Signature (Approval for Manufacturing) \_\_\_\_\_ Date \_\_\_\_\_

**CHRONOMITE**  
LABORATORIES, INC.

PH. 800-447-4962

626-937-4270

FAX 626-937-4279

[www.chronomite.com](http://www.chronomite.com)