

# APPLICATION: SERVICE SINK

## IDEAL for

- Shopping malls, strip malls, retail stores
- Service station
- Commercial buildings
- Office buildings
- Schools, colleges and universities
- Hospitals
- Restaurants
- Stadiums



## NON-MICROPROCESSOR MODELS

### INSTANT-FLOW® SR - STANDARD ACTIVATION (0.65 GPM)

MODEL	AMPS	VOLTS	WATTS	PRESET TEMP.
SR-40/208-P-NP	40	208	8,320	NONE
SR-40/240-P-NP	40	240*	9,600	NONE

## MICROPROCESSOR MODELS

### INSTANT-FLOW® MICRO - STANDARD ACTIVATION (0.65 GPM)

MODEL	AMPS	VOLTS	WATTS	PRESET TEMP.
M-40/208-P-NP	40	208	8,320	110°F or 120°F
M-40/240-P-NP	40	240*	9,600	110°F or 120°F
M-40/277-P-NP	40	277	11,080	110°F or 120°F
M-50/240-P-NP	50	240*	11,520	110°F or 120°F

## MICROPROCESSOR MODELS

### INSTANT-TEMP® ER - STANDARD ACTIVATION (0.8 GPM)

MODEL	AMPS	VOLTS	WATTS	ADJUSTABLE TEMP.
ER-60S/208_12500	60 (2 X 30)	208	12,500	70°F - 125°F
ER-60S/240_14400	60 (2 X 30)	240*	14,400	70°F - 125°F
ER-60S/277_16600	60 (2 X 30)	277	16,600	70°F - 125°F
ER-80S/208_16600	80 (2 X 40)	208	16,600	70°F - 125°F
ER-80S/240_19200	80 (2 X 40)	240*	19,200	70°F - 125°F
ER-80S/277_22200	80 (2 X 40)	277	22,200	70°F - 125°F



Member of  
U.S. Green  
Building  
Council



Water  
Conserving  
Product



Made in  
the USA

\* 240V models may be operated at 220V.  
However, an approximate 15% decrease in wattage will be experienced.

Other preset temperature settings are available, please contact factory.

Complies  
with  
Standards  
for:



Federal  
Public Law  
111-380  
(No Lead)

**CHRONOMITE LABORATORIES, INC.**  
17451 Hurley St. :: City of Industry, CA 91744 U.S.A.  
Phone 800-447-4962 :: 626-937-4270  
Fax 626-937-4279 :: www.chronomite.com

MEMBER OF



# APPLICATION: SERVICE SINK

## INSTANT-FLOW® SR/MICRO

### Dimension:

6-1/4" (H) x 9-5/8" x 2-3/4"

Weight: 5 lbs

**Material:** White, rugged cast aluminum housing; Celcon plastic element assembly with nichrome coils.

### Min. Operating Flow:

(Standard Flow Model) operates at 0.65 GPM

### Operating Pressure:

Minimum 25 PSI / Maximum 80 PSI

**Max. Pressure:** 150 PSI

**Max. Operating Temperature:** 160°F

### Housing:

PA 765 ABS Plastic



MODEL	WATTS	TEMPERATURE RISE AT:		
		1.0 GPM	1.5 GPM	2.0 GPM
M or SR-40/208-P-NP	8,320	57°F	38°F	28°F
M or SR-40/240-P-NP*	9,600	66°F	44°F	33°F
M-40/277-P-NP	11,080	76°F	50°F	38°F
M-50/240-P-NP*	11,520	79°F	52°F	39°F

## INSTANT-TEMP® HIGH CAPACITY

### Dimension:

15-1/4" x 17-1/2" x 6-1/4"

Weight: 24 lbs

**Material:** Rugged steel housing  
Celcon plastic element assembly with nichrome coils.

### Min. Operating Flow:

(Standard Flow Model) operates at 0.8 GPM

### Operating Pressure:

Minimum 25 PSI / Maximum 80 PSI

**Max. Pressure:** 150 PSI

**Max. Operating Temperature:** 160°F

### Housing:

Fabricated from rugged Jet Kote® grey steel.



MODEL	WATTS	TEMPERATURE RISE AT:		
		2.0 GPM	2.5 GPM	3.0 GPM
ER-60S/208_12500	12,500	43°F	34°F	28°F
ER-60S/240_14400*	14,400	49°F	39°F	33°F
ER-60S/277_16600	16,600	57°F	45°F	38°F
ER-80S/208_16600	16,600	57°F	45°F	38°F
ER-80S/240_19200*	19,200	66°F	52°F	44°F
ER-80S/277_22200	22,200	76°F	61°F	50°F

\* 240V models may be operated at 220V. However, an approximate 15% decrease in wattage will be experienced.



Member of  
U.S. Green  
Building  
Council



Water  
Conserving  
Product



Made in  
the USA

Complies  
with  
Standards  
for:



Federal  
Public Law  
111-380  
(No Lead)

## CHRONOMITE LABORATORIES, INC.

17451 Hurley St. :: City of Industry, CA 91744 U.S.A.  
Phone 800-447-4962 :: 626-937-4270  
Fax 626-937-4279 :: www.chronomite.com

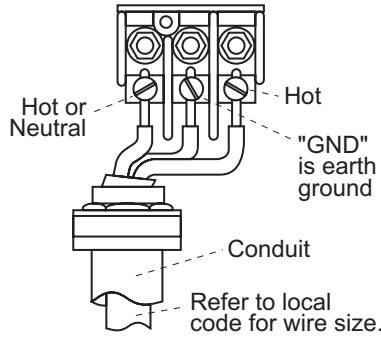
MEMBER OF



MORRIS GROUP  
INTERNATIONAL

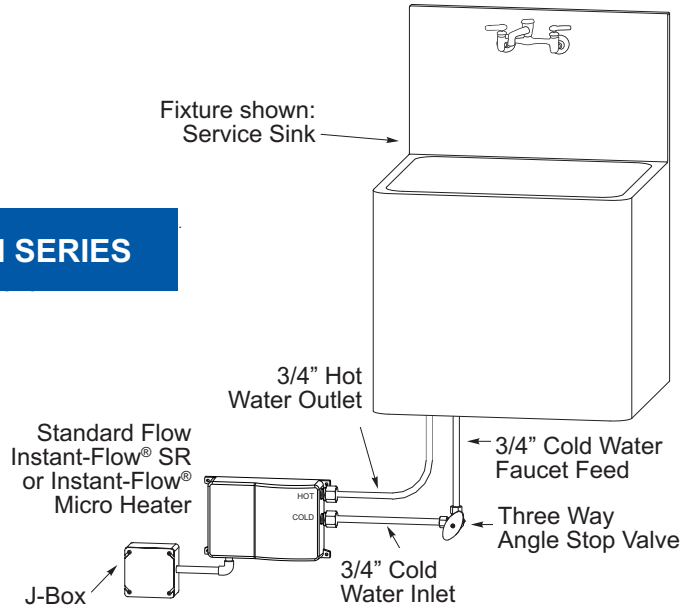
# APPLICATION: SERVICE SINK

## WIRING CONNECTION

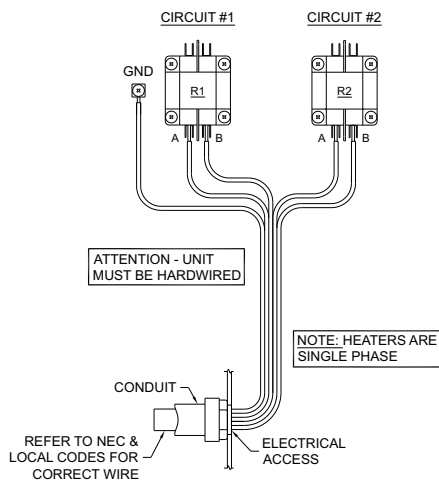


**ATTENTION:**  
Unit must be hard wired.  
**NOTE:** Heater is single phase.  
All tests are measured at the output of the heater.

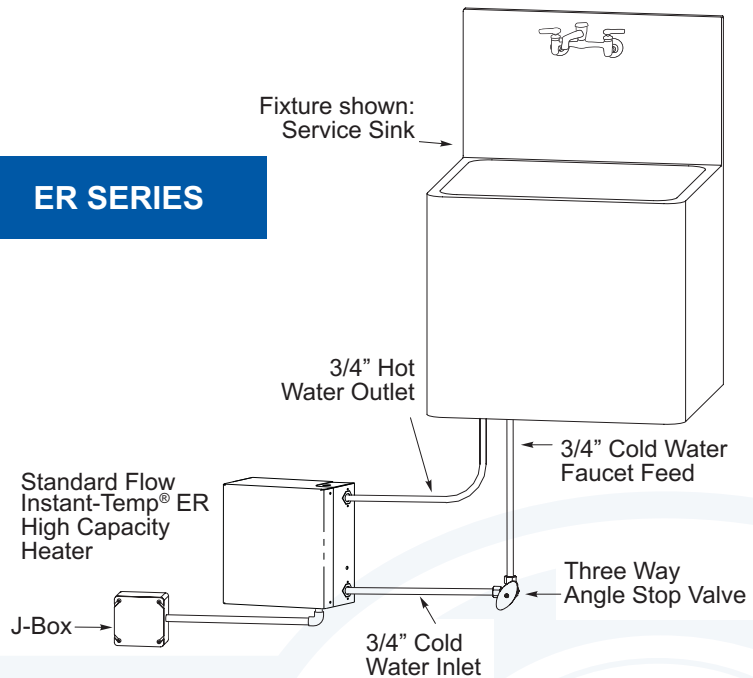
## SR/M SERIES



## WIRING CONNECTION



## ER SERIES



Note: Heater to be installed below the level of all hot water outlets serviced by the heater

Complies with Standards for:



Federal Public Law 111-380 (No Lead)

**CHRONOMITE LABORATORIES, INC.**  
17451 Hurley St. :: City of Industry, CA 91744 U.S.A.  
Phone 800-447-4962 :: 626-937-4270  
Fax 626-937-4279 :: www.chronomite.com

MEMBER OF

