

SHOWER APPLICATION DATA SHEET CHRONOMITE TANKLESS ELECTRIC WATER HEATERS

SHOWER APPLICATIONS

- Industrial & Manufacturing
- Office Buildings
- Schools, Colleges & Universities
- Modular Buildings
- Campgrounds



NON-MICROPROCESSOR MODELS

Model	Temp Rise at 1.0 GPM	Wattages	Voltage	Breaker
SR-30	57°F	8310	277	30
SR-40	57°F	8320	208	40
SR-40	65°F	9600	240	40

PLUMBED-IN-PARALLEL MODELS

Model	Temp Rise at 2.0 GPM	Wattage	Voltage	Breaker
▶ SR-30	57°F	8310	277	30
SR-30	57°F	8310	277	30
▶ SR-40	57°F	8320	208	40
SR-40	57°F	8320	208	40
▶ SR-40	65°F	9600	240	40
SR-40	65°F	9600	240	40

MICROPROCESSOR MODELS

Model	Temp Rise at 1.0 GPM	Wattage	Voltage	Breaker	Temp Setting
M-30	57°F	8310	277	30	104°F or 110°F
M-40	57°F	8320	208	40	104°F or 110°F
M-40	65°F	9600	240	40	104°F or 110°F
M-40	75°F	11080	277	40	104°F or 110°F
M-50	79°F	11520	240	50	104°F or 110°F

PLUMBED-IN-PARALLEL MODELS

Model	Temp Rise at 2.0 GPM	Wattage	Voltage	Breaker	Temp Setting
▶ M-30	57°F	8310	277	30	110°F or 120°F
M-30	57°F	8310	277	30	110°F or 120°F
▶ M-40	57°F	8320	208	40	110°F or 120°F
M-40	57°F	8320	208	40	110°F or 120°F
▶ M-40	65°F	9600	240	40	110°F or 120°F
M-40	65°F	9600	240	40	110°F or 120°F
▶ M-40	75°F	11080	277	40	110°F or 120°F
M-40	75°F	11080	277	40	110°F or 120°F
▶ M-50	79°F	11520	240	50	110°F or 120°F
M-50	79°F	11520	240	50	110°F or 120°F

* 240V models may be operated at 220V with approximately a 10% Temperature decrease.

Note: Other temperature settings available, please contact factory.

SHOWER

APPLICATION DATA SHEET

CHRONOMITE TANKLESS ELECTRIC WATER HEATERS

TECHNICAL SPECIFICATIONS

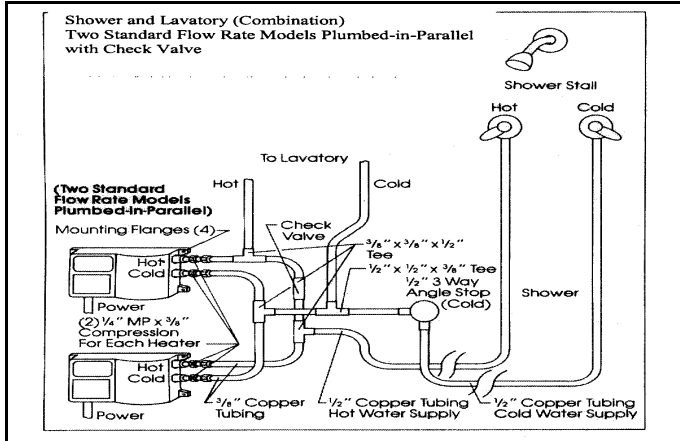
Dimensions: 6^{1/4"} x 9^{5/8"} x 2^{3/4"}
 Weight: 5 Lbs.
 Materials: Rugged cast aluminum alloy casing,
 Celcon plastic element assembly
 with nichrome coils.
 Minimum Operating
 Flow Rate: 1.0 GPM
 Minimum Operating
 Pressure: 25 PSI
 Maximum Operating
 Pressure: 150 PSI
 Maximum Operating
 Temperature: 140°F
 Listings: UL, IAPMO, HUD

ACCESSORY PACKAGE & OPTIONS

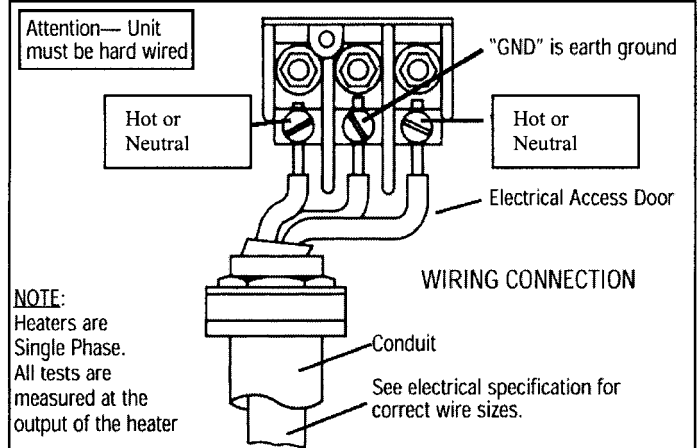
Standard Flow Models: 1 Compression Fitting

Option: Stainless Steel Housing
 Satin or Polished Finish

INSTALLATION DIAGRAM



ELECTRICAL DIAGRAM



TEMPERATURE RISE CHART

Shower Models						
GPM	8310W	8320W	9600W	11080W	11520W	
1.0	57	57	65	75	79	
1.2	47	47	54	63	65	
1.4	40	40	46	54	56	
1.5	37	37	43	50	52	
1.6	35	35	41	47	49	
1.8	31	31	36	42	43	
2.0	28	28	32	37	39	

Chronomite Laboratories, Inc.
 1420 West 240th Street, Harbor City, Ca 90710
 Customer Service Toll-Free (800) 447-4962 Tel (310) 534-2300 Fax (310) 530-1381
 www.chronomite.com
 A Division of Acorn Engineering